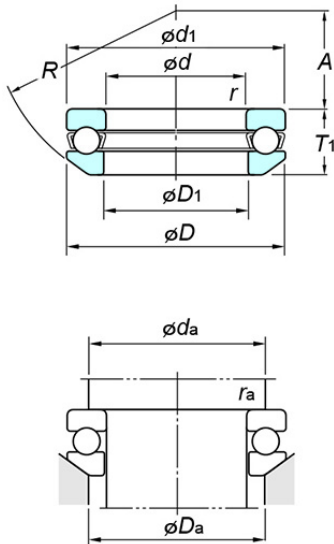


Thrust ball bearings - Single direction - With spherical back face



Bearing No. 53209

Specifications

(Boundary dimensions ...etc)

d(mm)	45
D(mm)	73
T(mm)	21.3
r(min.)(mm)	1
Basic load ratings Ca(kN)	59.7
Basic load ratings C0a(kN)	105
Fatigue load limit : Cu(kN)	4.75
Limiting speeds(Grease lub.)(min-1)	2600
Limiting speeds(Oil lub.)(min-1)	4000
d1(max.)(mm)	73
D1(min.)(mm)	47
D2(mm)	-
D3(mm)	-
A(mm)	26
R(mm)	56
C(mm)	-

Mounting dimensions

da(min.)(mm)	62
Da(max.)(mm)	56
ra(max.)(mm)	1

Refer.

(Refer.)Mass(kg)	0.310
------------------	-------